

Turnstiles

Pedestrian control

Turnstiles allow you to organise and control access to a building or site in an efficient manner. A turnstile can be operated in different ways, for example with a keypad, key-operated switch, badge, etc. or after reporting in/out via the intercom.

QUALITY

- Tested on more than 500.000 movements
- Rugged system
- Non-corrosive mechanism
- No exposed parts
- 24V DC power supply
- IP55 casing

MECHANISM

- Central rotor (with bent tubes) and solid fences on the sides:
- one side prevents passage in the opposite direction
 - The other prevents multiple passages at a time
- Release and control panel are locked with cylinder locks

Release from 45° or 60°, depending on rotor division (90° or 120°) to prevent returning
From this point the rotor only moves forward

FINISHING

- Standard surface treatment quality:
- Blasting: SA2,5 EN-ISO-8501-1 EN-ISO-8503-1
 - Metallizing: 50µ NBN-EN-ISO-2063-1:2019 NBN-EN-ISO-2063-2:2017
 - Preparing surface for coating: Standard NBN-EN-ISO-8502-3:2017
 - Powder coating: 100µ NBN-EN-1090-2

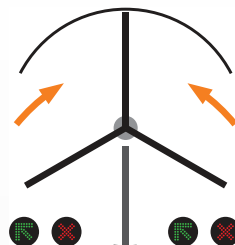
OPERATING METHODS

Our turnstiles are fitted with a soft PLC, which enables these operating methods in each rotation direction:

- Once-only time-limited release
- Multiple passages depending on the amount of received pulses
- Release for a set time
- Permanent release

The control also ensures:

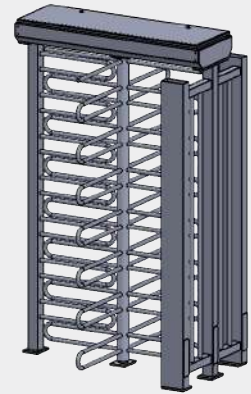
- A count pulse per direction of rotation and per turn
- Voltage-free make-and-break contact for as long as rotation direction is released
- Ability to permanently release both turning directions simultaneously



Access control in one or both directions

Control terminal

Our single and double turnstile come with a built-in control post
Proximity readers, intercoms and other command options can be integrated
Cable entry through a hatch in the main column or control column
Dimensions control post: width 180mm / depth 80mm



SINGLE TURNSTILE

15 passages/min.
Rotor division 120° or 90°



DOUBLE TURNSTILE

15 passages/min.
Rotor division 120° or 90°
2 pedestrians at once



XL TURNSTILE

15 passages/min.
Rotor division 120°
Intersection 2,5m or 3,5m



TURNSTILE BIKE ACCESS

4 passages/min.
Rotor division 120°

SAFETY

Power failure:

- standard: both directions blocked
- optional: automatic unlocking in one or both directions

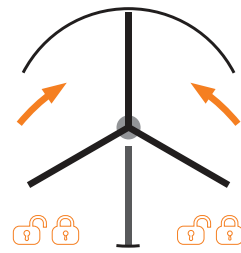
Impossible for someone to get stuck

Our turnstiles always return to it's starting position

Always possible to carry out a manual override with the included key

The single and double turnstile come with standard night lights to increase safety feeling

The constantly coupled damping mechanism progressively damps the second part of the movement. This results in a fluent movement of the crossbar and therefore prevents colliding with the heels of the pedestrians.



Free rotating or locked in one or both directions in case of a powercut



OPTIONS

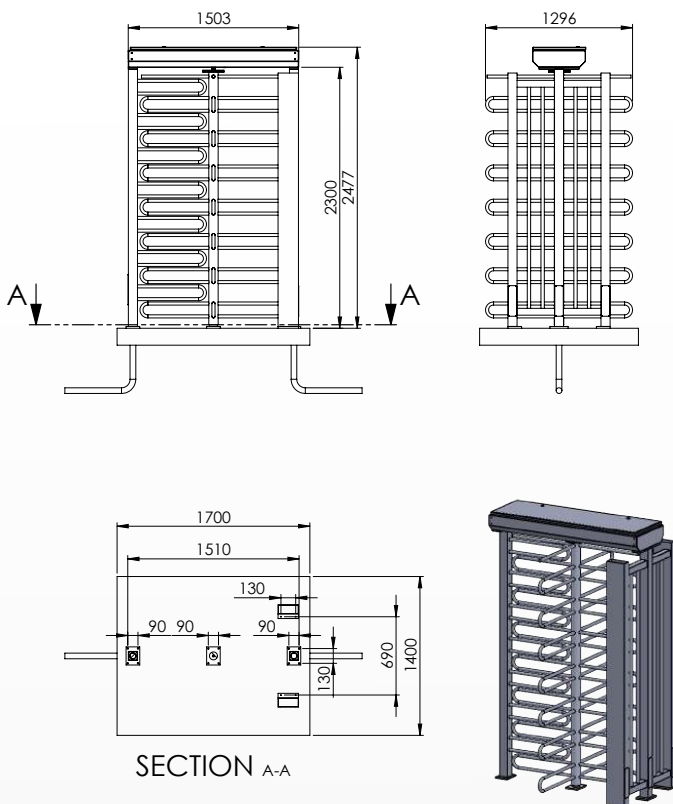
- Stainless steel rotor
- Extended roof
- LED: red/green

TECHNICAL SPECIFICATIONS

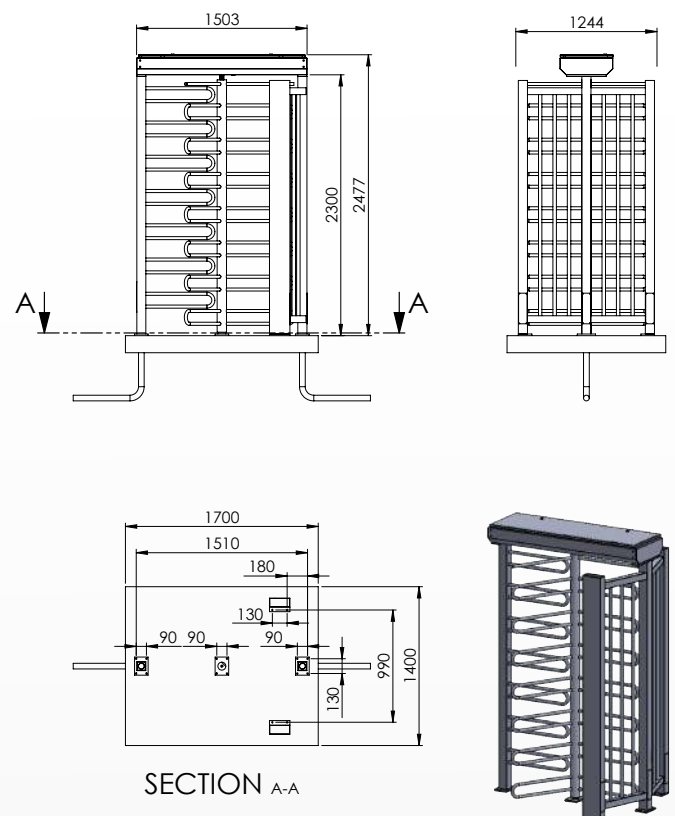
- Supply voltage : 230 VAC
- Power consumption : 150 W

TECHNICAL DRAWINGS

SINGLE TURNSTILE 90°

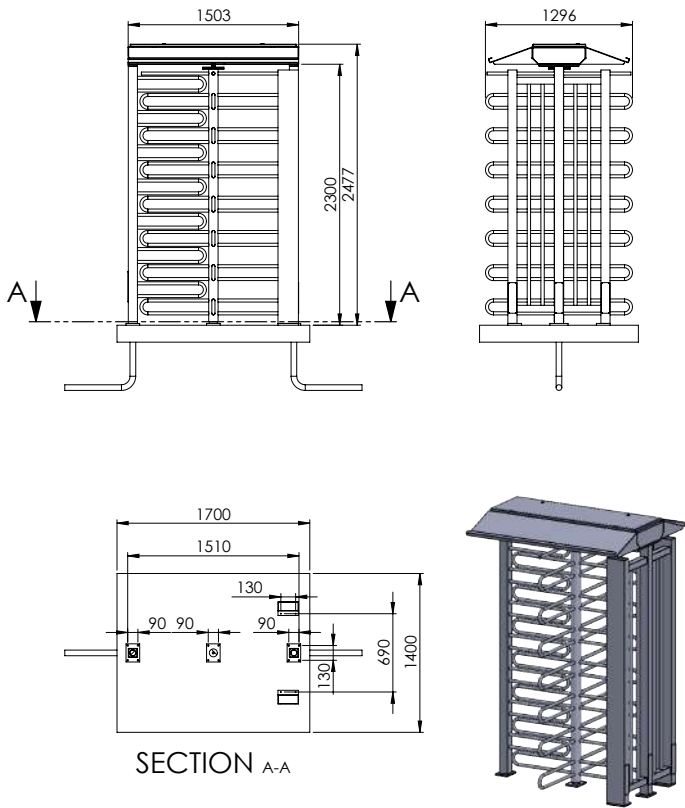


SINGLE TURNSTILE 120°

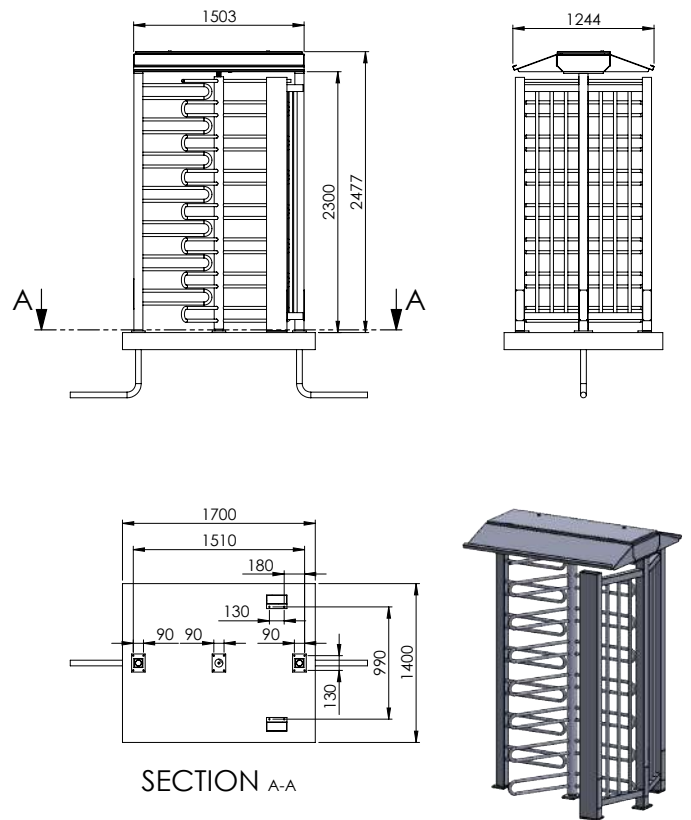


TECHNICAL DRAWINGS

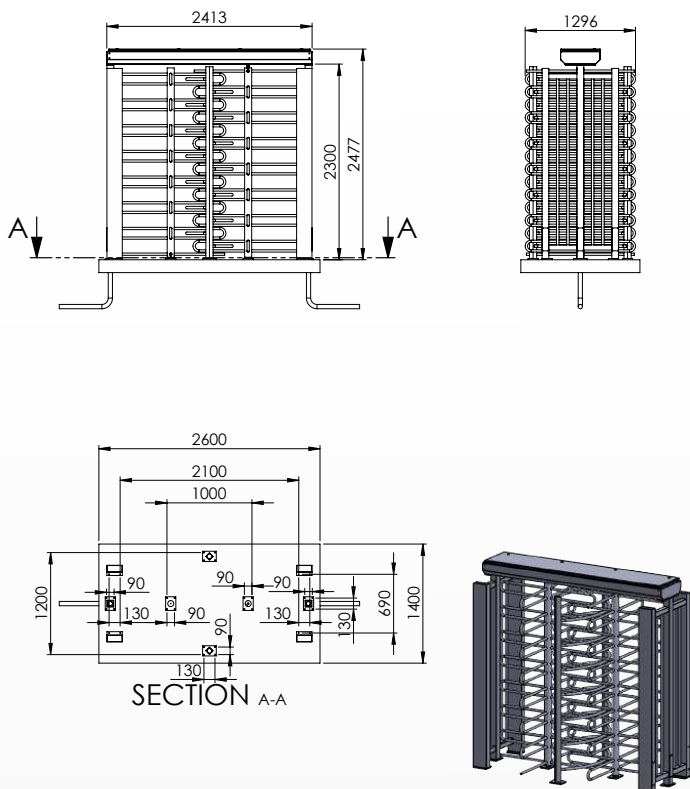
SINGLE TURNSTILE WITH ROOF 90°



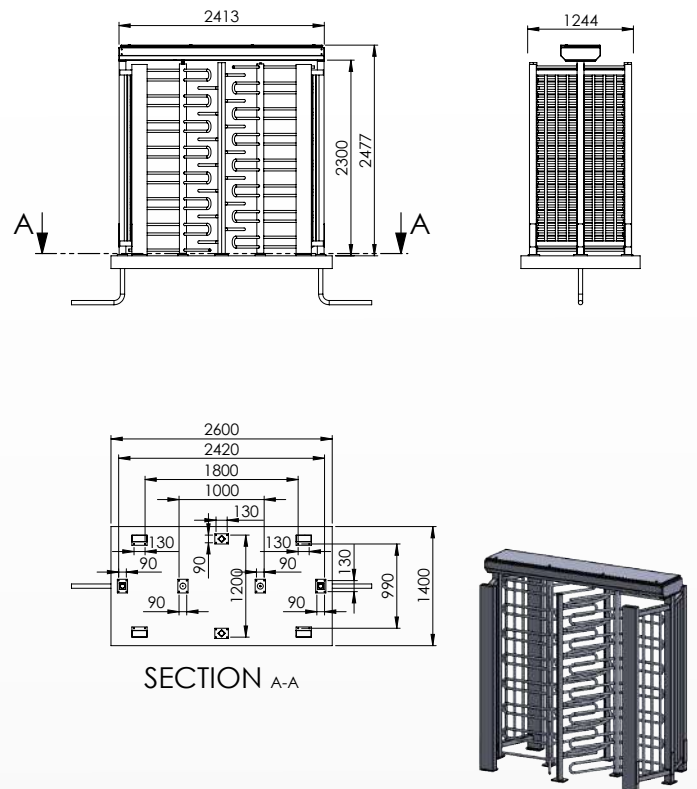
SINGLE TURNSTILE WITH ROOF 120°



DOUBLE TURNSTILE 90°

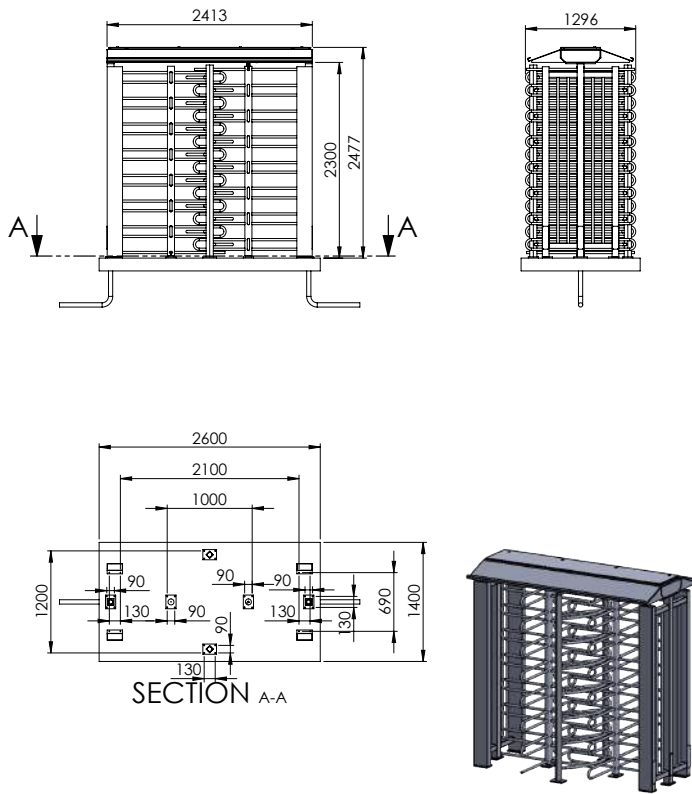


DOUBLE TURNSTILE 120°

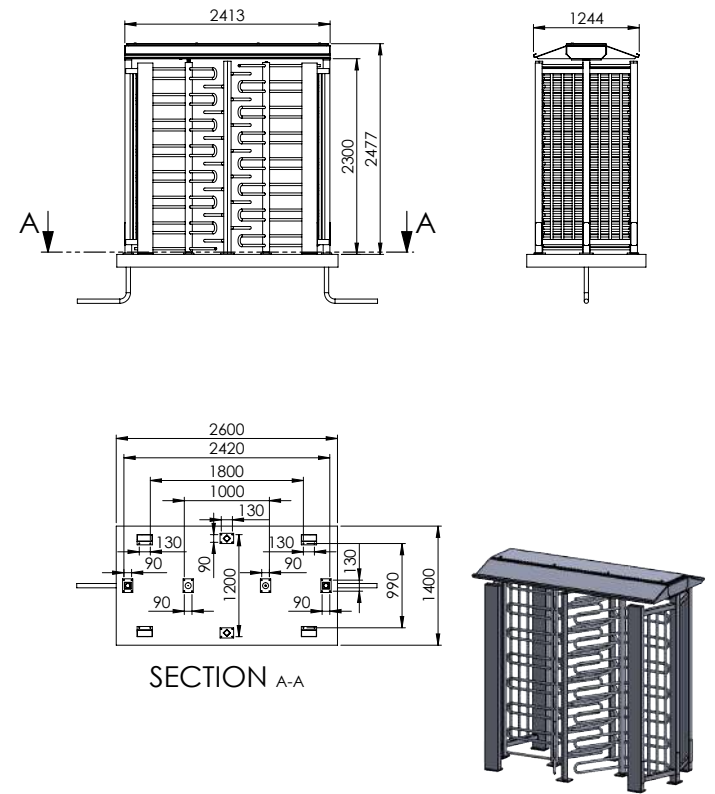


TECHNICAL DRAWINGS

DOUBLE TURNSTILE WITH ROOF 90°



DOUBLE TURNSTILE WITH ROOF 120°



TURNSTILE WITH BIKE ACCESS

